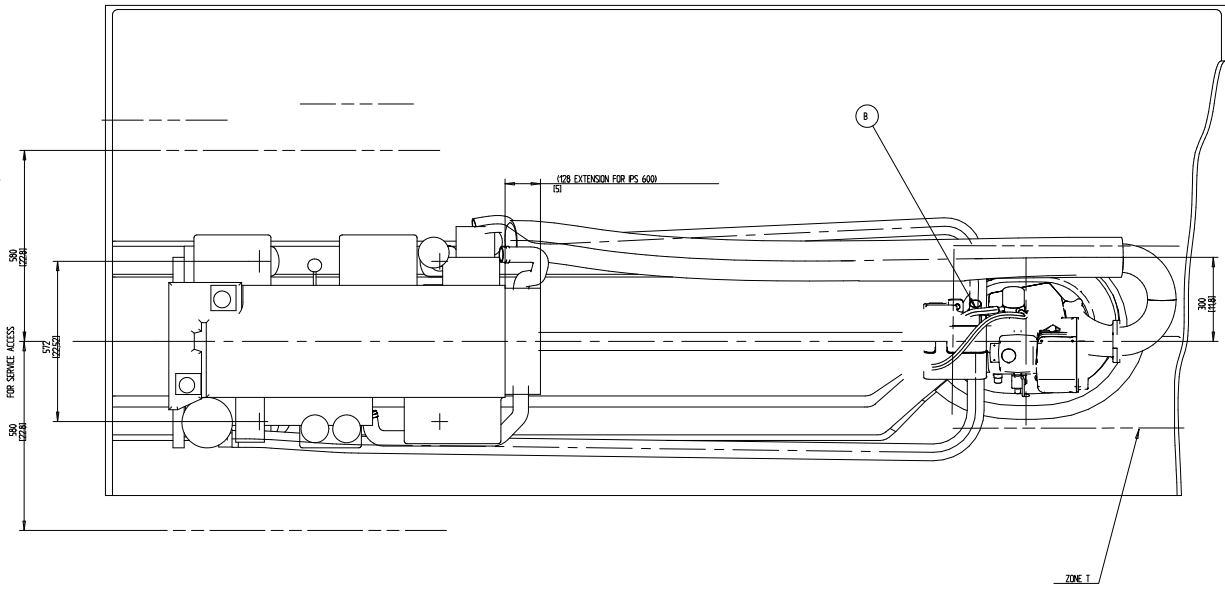
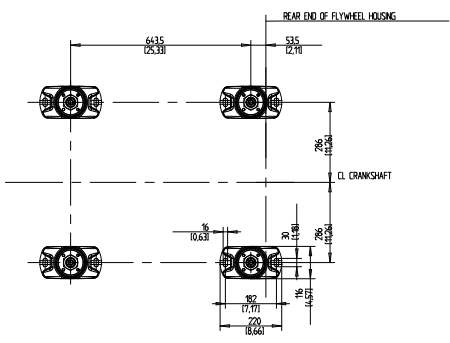


INSTALLED PARALLEL TO KEEL



- J OIL DRAN
- H CONNECTION ELECTRICAL CONTROL
- G CONNECTION BATTERY POS. AND NEG.
- F CONNECTION OIL TEMP./PRESSURE
- E CONNECTION, SHIFT SOLENOIDS
- D OIL EPSTEK GEAR BOX
- C OIL FILLER GEAR BOX
- B SEA WATER OUTLET, HOSE ID. 50mm
- A SEA WATER INLET, HOSE ID. 50 mm

ENGINE RELATED ITEMS SEE DWG. 3590986

A*	B	C
15	660	400
16	670	385
17	680	370
18	690	355
19	700	340
20	710	320
21	720	305
22	730	285

3591304-06 - Заручено с www.volvo-penta.com 26.06.2014 7:21:31