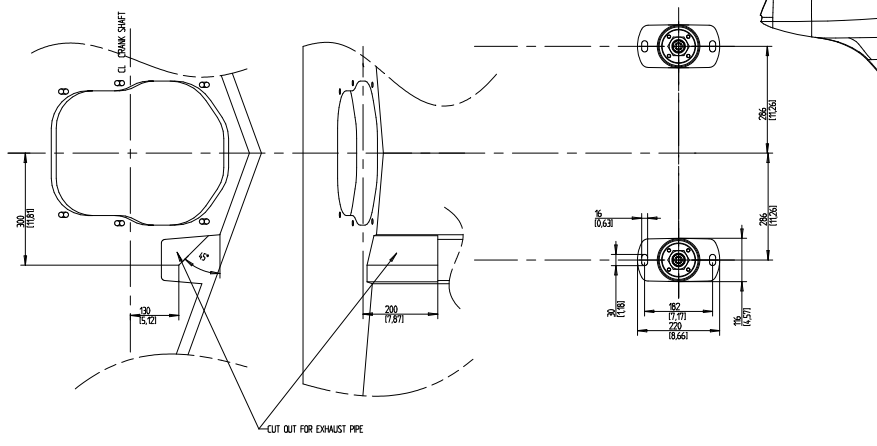
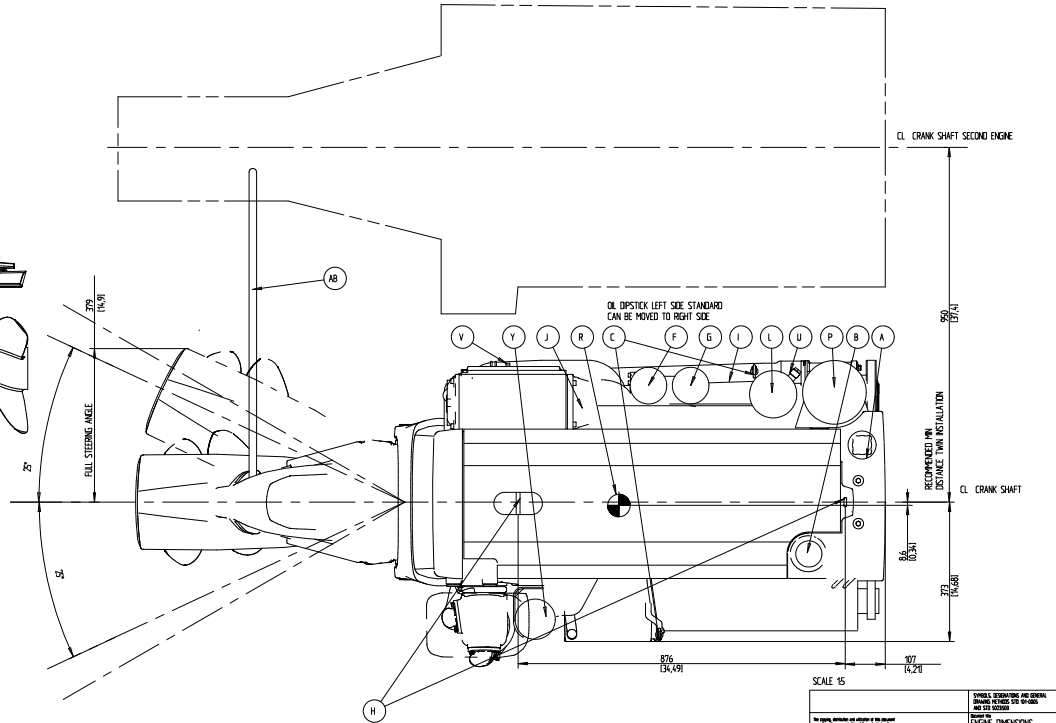
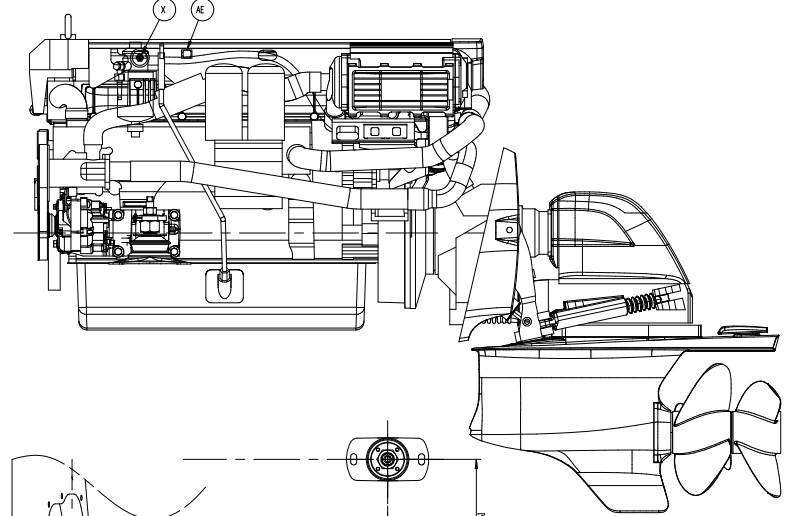
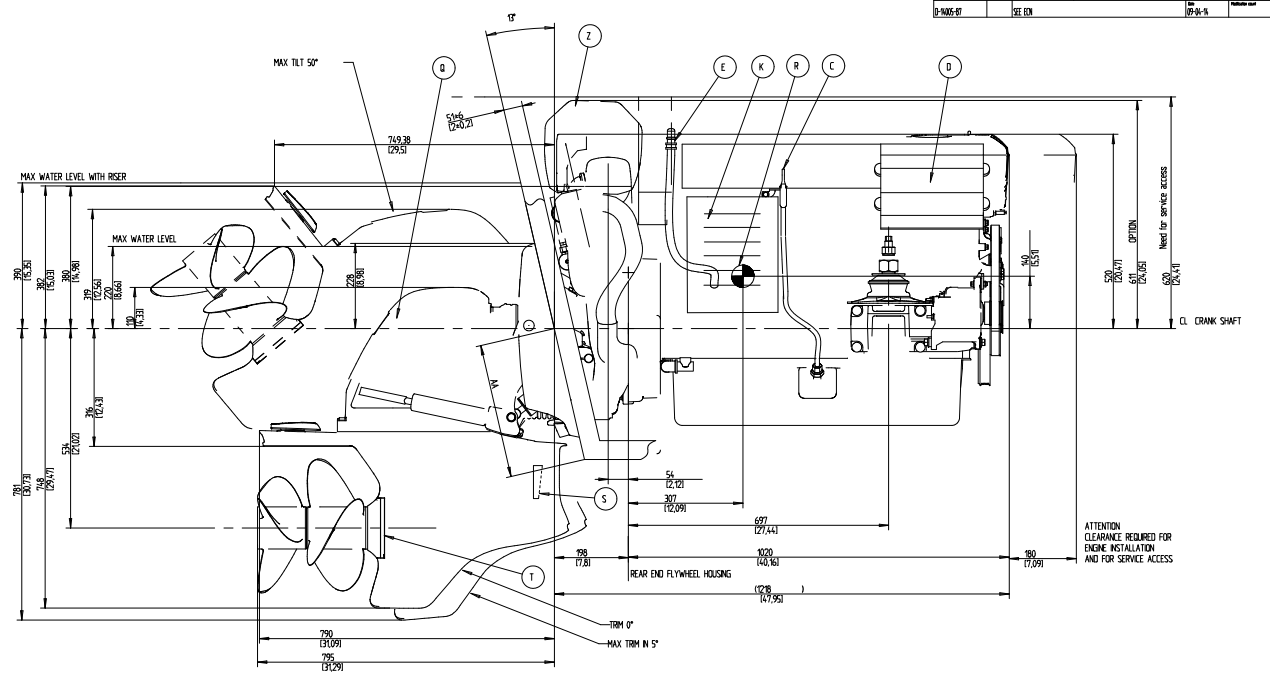
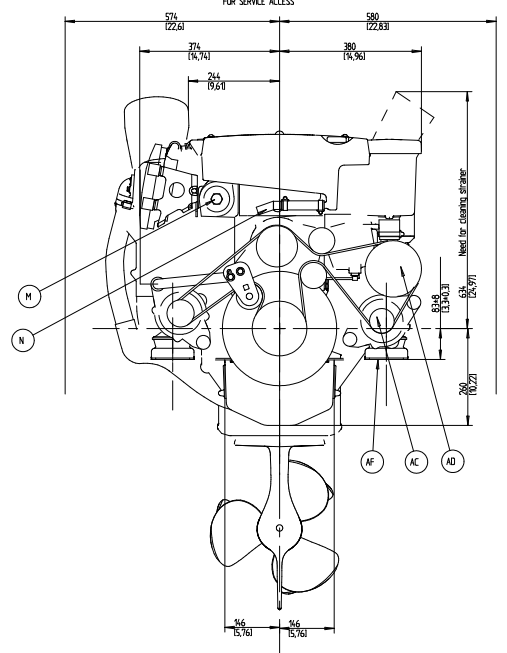


- (A) WATER FILLER CAP, FRESH WATER
- (B) OIL FILLER CAP, ENGINE
- (C) OIL DIPSTICK, ENGINE LEFT OR RIGHT SIDE MOUNTED
- (D) ENGINE CONTROL UNIT
- (E) OIL DRAIN (WITH PPE), ENGINE Ø125
- (F) OIL FILTER MAIN
- (G) OIL FILTER BYPASS
- (H) LIFTING EYE
- (I) WATER DRAIN, FRESH WATER
- (J) WATER DRAIN, SEA WATER
- (K) AIR FILTER
- (L) FUEL FILTER
- (M) HOT WATER OUTLET Ø16
- (N) HOT WATER INLET Ø16
- (P) STRAINER SEA WATER
- (Q) OIL DIPSTICK DRIVE UNDER COVER
- (R) CENTRE OF GRAVITY
- (S) WATER INLET DRIVE
- (T) OIL DRAIN DRIVE (BEHIND ADAPTER)
- (U) FUEL INLET CONNECTION Ø10
- (V) FUEL RETURN TO TANK Ø10
- (X) ENGINE STOP
- (Y) CRANKCASE VENTILATION
- (Z) EXHAUST RISER Ø127 (5"10"OPTION)
- (AA) X-MEASUREMENT SEE 7742299-6
- (AB) TIE BAR (TWIN INSTALLATION)
- (AC) EXTRA ALTERNATOR (OPTION)
- (AD) SEA WATER PUMP
- (AE) DIAGNOSE CONNECTOR
- (AF) ELASTIC SUSPENSION (2)



SCALE 1:5  
 SYMBOLS, DIMENSIONS AND GENERAL NOTES: DIMENSIONS IN PARENTHESES ARE DIMENSIONS IN INCHES (1:1 SCALE)  
 ENGINE DIMENSIONS: D6-AQ-DRIVE (P-R)  
 Volvo Penta logo  
 3591359  
 02  
 11