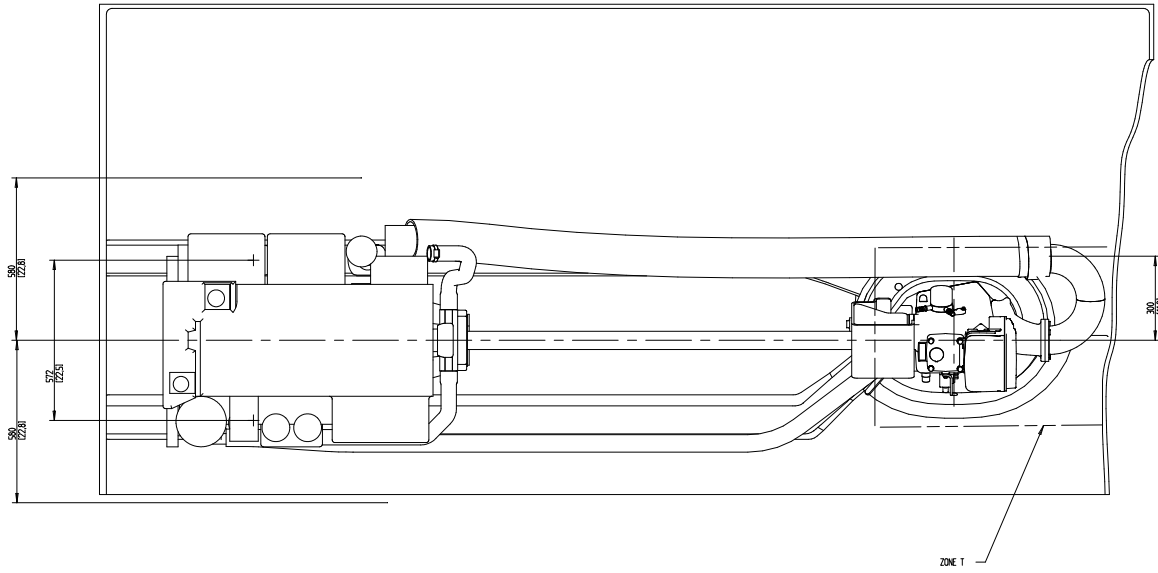
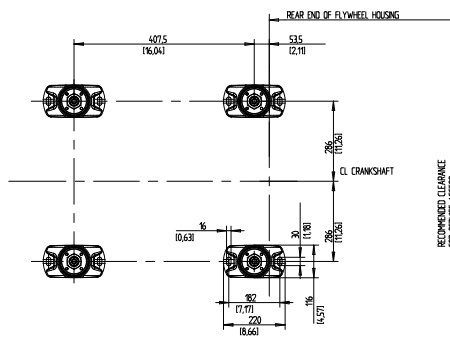


INSTALLED PARALELL TO KEEL



- (K) EXHAUST HOSE 127 mm ID
- (J) OIL DRAIN
- (H) CONNECTION ELECTRICAL CONTROL
- (G) CONNECTION BATTERY POS. AND NEG.
- (F) CONNECTION OIL TEMP/PRESSURE
- (E) CONNECTION SHIFT SOLENOIDES
- (D) OIL DIPSTICK GEAR BOX
- (C) OIL FILLER GEAR BOX
- (A) SEA WATER INLET, HOSE ID 50 mm

ENGINE RELATED ITEMS SEE DWG. 3591349  
WEIGHT ENGINE AND GEARBOX 747kg (WITHOUT OIL AND WATER)

A*	B	C
5	660	400
16	670	385
17	680	370
18	690	355
19	700	340
20	710	320
21	720	305
22	730	285