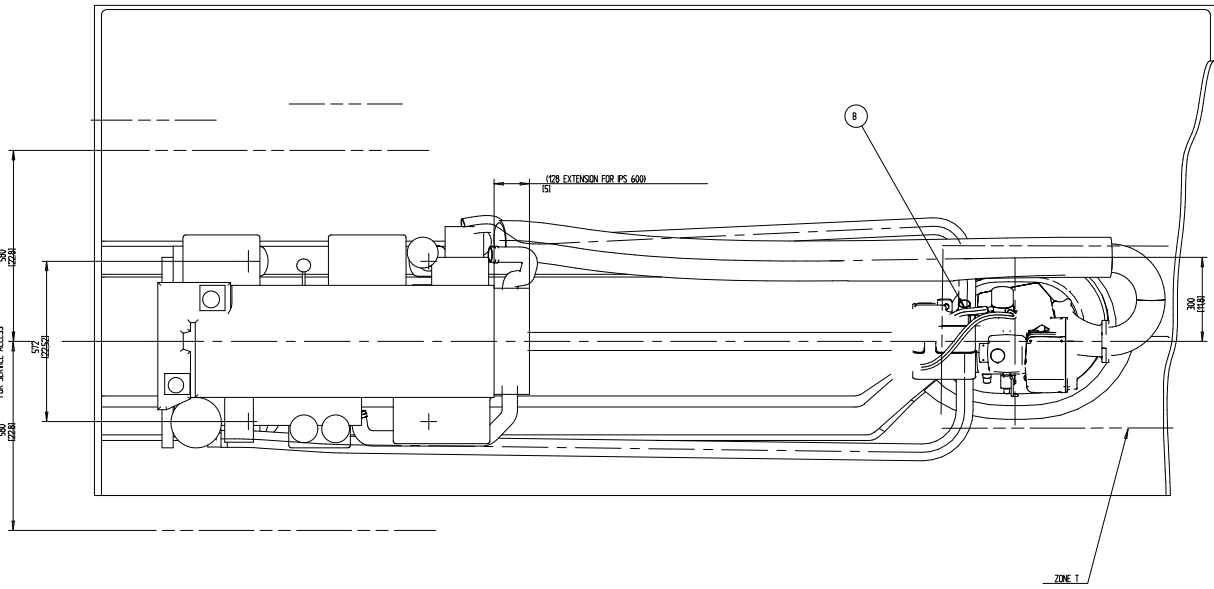
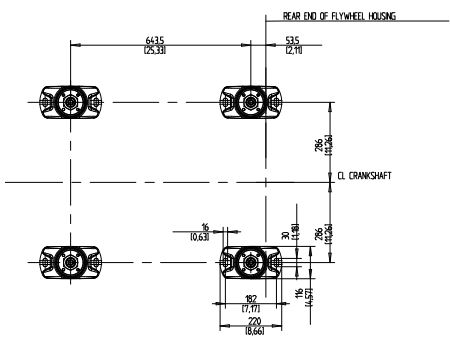


INSTALLED PARALLEL TO KEEL



- J OIL DRAIN
- H CONNECTION ELECTRICAL CONTROL
- G CONNECTION BATTERY POS. AND NEG.
- F CONNECTION OIL TEMP./PRESSURE
- E CONNECTION SHIFT SOLENOIDS
- D OIL DIPSTICK GEAR BOX
- C OIL FILLER GEAR BOX
- B SEA WATER OUTLET, HOSE ID: 50mm
- A SEA WATER INLET, HOSE ID: 50 mm

ENGINE RELATED ITEMS SEE DWG. 3500986

A*	B	C
15	660	400
16	670	385
17	680	370
18	690	355
19	700	340
20	710	320
21	720	305
22	730	285

<p><b>VOLVO PENTA</b></p> <p>3501304</p>	<p>INSTALLATION DRAWING</p> <p>PS WITH DB</p> <p>JACK SHAFT</p>	<p>3501304</p> <p>06</p> <p>11</p>
	<p>DIMENSION DRAWING</p>	
	<p>REVISIONS</p>	