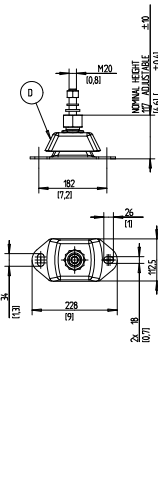
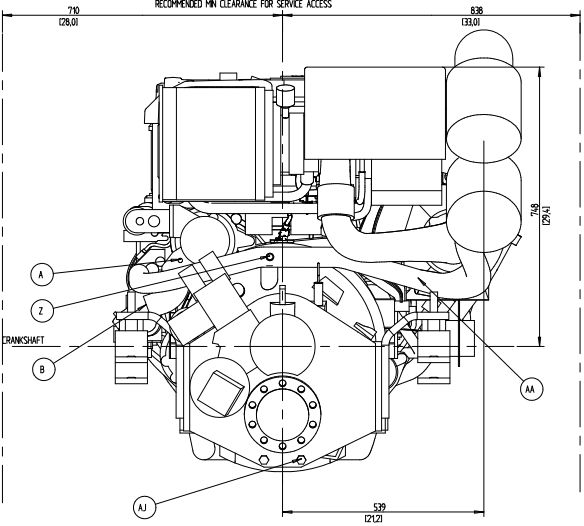
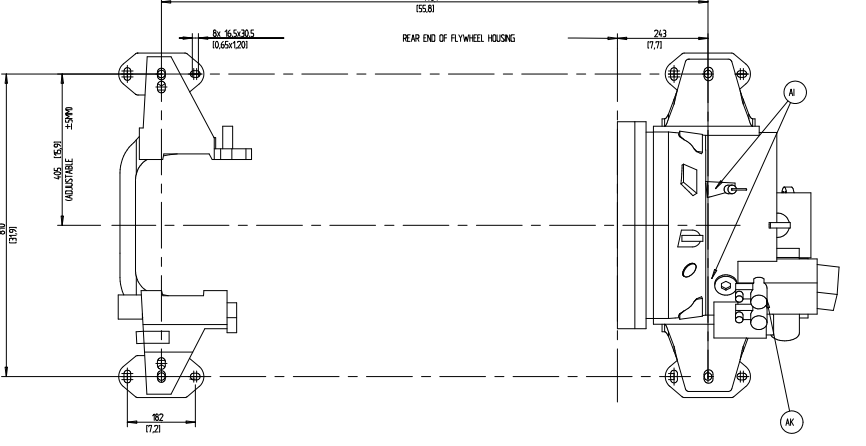


- A SEA WATER DRAIN POINT, x2
- B SEA WATER INLET, CONNECTION FOR 63 mm (2 1/2") ID. HOSE
- C1 WET EXHAUST BEND, OPTION 1
- C2 WET EXHAUST BEND WITH RISER, OPTION 2
- C3 EXHAUST FLANGE, OPTION 3, MAX LOAD 9KG
- D FLEXIBLE SUSPENSION, STANDARD EQUIPMENT
- E1 OIL DIPSTICK AND FILLING ENGINE STARBOARD SIDE ALTERNATIVE
- E2 OIL DIPSTICK AND FILLING ENGINE PORT SIDE ALTERNATIVE
- F OUTLET FOR OIL BILGE PUMP Ø16x15
- G FRESH WATER FILLING EXPANSION TANK
- H FRESH WATER DRAIN POINT (x5)
- I OIL FILTER 2x
- J BYPASS OIL FILTER
- K FUEL FILTER/ WATER SEPARATOR
- L PRIMER PUMP
- M FUEL DEARATION
- N DIAGNOSIS CONNECTION (6-POLE)
- O CONNECTION SENDERS (6-POLE)
- P DATALINK CONNECTION (6-POLE)
- Q CONNECTION EVC (REVERSE GEAR) 32-POLE
- R1 CONNECTION BATTERY POS.
- R2 CONNECTION BATTERY NEG.
- S AIR FILTER
- T PRESSURE DROP INDICATOR, AIR FILTER
- U LIFTING EYE, 3x (Ø30 MIN. FRONT EYE REMOVABLE)
- V HOSE CONNECTION HOT WATER OUTLET R3/2" ID. HOSE, OPTIONAL EQUIPMENT
- W HOSE CONNECTION HOT WATER INLET R4/2" ID. HOSE, OPTIONAL EQUIPMENT
- X FUEL CONNECTION INLET
- Y FUEL CONNECTION OUTLET
- Z PRESSURE LUBRICATION OF PROP SHAFT (1/4"-8NPSF)
- AA SEA WATER OUTLET FOR 2 1/8" ID. HOSE (ØD. 54mm)
- AB EXTERNAL STOP CONNECTION
- AC CAN2 CONNECTION
- AD AUTOMATIC FUSE, 10A (ENGINE)
- AE STOP BUTTON
- AF AUTOMATIC FUSE, 10A (EVC)
- AG OIL INLET ON OIL COOLER ISO-G 1/2"
- AH OIL OUTLET ON OIL COOLER ISO-G 1/2"
- A I OIL DIPSTICK AND FILLING TRANSMISSION
- AJ OIL DRAIN TRANSMISSION
- AK EMERGENCY SHIFTING



SCALE 1:5

WET WEIGHT 1895KG (WITH OIL AND WATER)

DRY WEIGHT 1795KG (WITH OIL AND WATER)

DIMENSIONS IN MILLIMETRE AND INCHES

ENGINE DIMENSIONS	21316552-06
ENGINE MODEL	21316552-06
ENGINE SERIAL NO.	21316552-06
ENGINE PART NO.	21316552-06
ENGINE WEIGHT	1895 KG
ENGINE POWER	35 HP
ENGINE SPEED	2700 RPM
ENGINE TYPE	4-CYCLE
ENGINE CONFIGURATION	IN-LINE
ENGINE APPLICATION	BOAT
ENGINE DRAWING	21316552-06
ENGINE PART NO.	21316552-06
ENGINE WEIGHT	1895 KG
ENGINE POWER	35 HP
ENGINE SPEED	2700 RPM
ENGINE TYPE	4-CYCLE
ENGINE CONFIGURATION	IN-LINE
ENGINE APPLICATION	BOAT

21316552-06 - 3d-rykheno c www.volvo-penta.com 26-06-2014 6:15:11