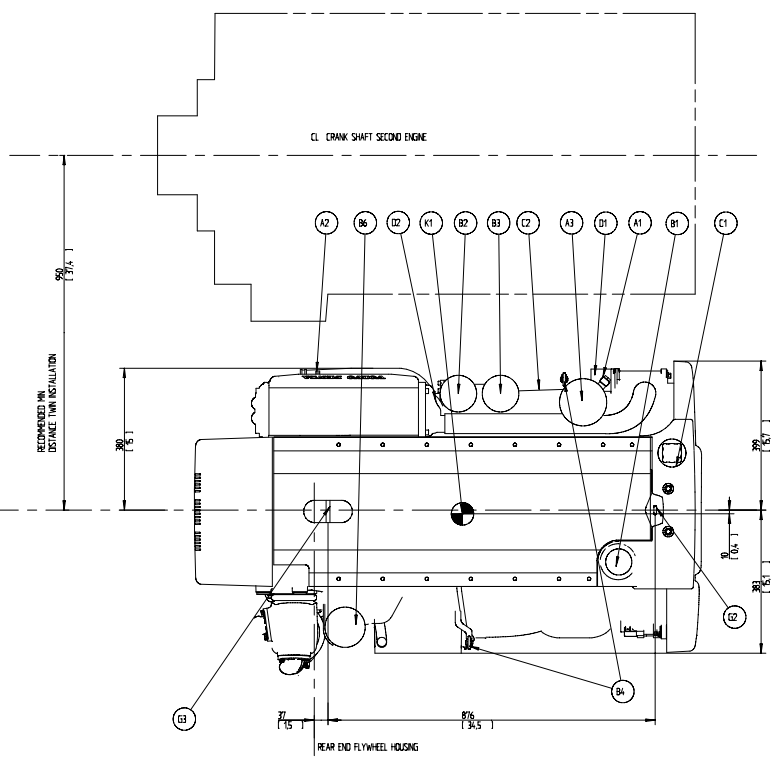
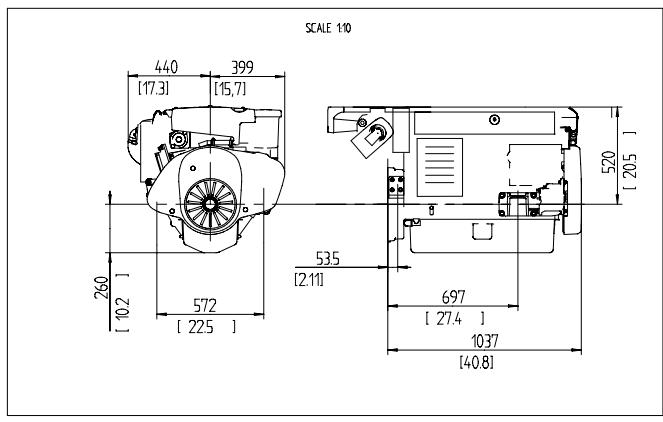
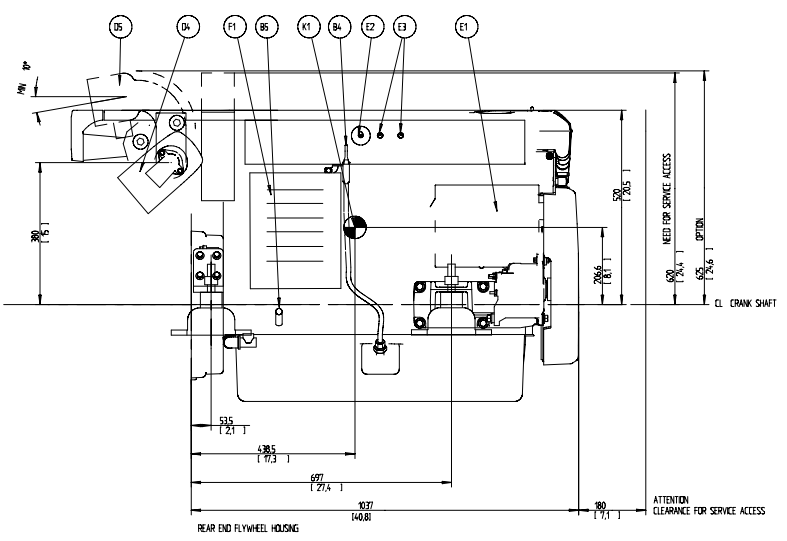


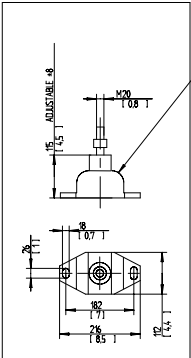
MAX WATER LEVEL : SEE INSTALLATION MANUAL



| | |
|----|---|
| A1 | FUEL CONNECTION INLET, 10mm ID. HOSE |
| A2 | FUEL CONNECTION OUTLET, 10mm ID. HOSE |
| A3 | FUEL FILTER/WATER SEPARATOR |
| B1 | OIL FILTER ENGINE |
| B2 | OIL FILTER, MAIN |
| B3 | OIL FILTER, BYPASS |
| B4 | OIL DIPSTICK ENGINE PORT STANDARD, CAN BE MOVED TO STARBORD |
| B5 | OUTLET FOR OIL BILGE PUMP, 12mm/1/2" ID. HOSE |
| B6 | CRANK CASE VENTILATION FILTER |
| C1 | FRESH WATER FILLER |
| C2 | FRESH WATER DRAIN POINT |
| C3 | CONNECTION HOT WATER INLET R 1/2" (OPTION) |
| C4 | CONNECTION HOT WATER OUTLET R 1/2" (OPTION) |
| D1 | SEA WATER INLET FOR 450 /2" ID. HOSE. |
| D2 | SEA WATER DRAIN POINT (2x) |
| D3 | SEA WATER PUMP |
| D4 | WET EXHAUST CONNECTION, 127 mm / 5" ID. HOSE |
| D5 | EXHAUST RISER (OPTION) |
| E1 | ECU CONTROL UNIT |
| E2 | ENGINE STOP |
| E3 | AUTOFUSES, ONLY 24V |
| F1 | AIR FILTER |
| G1 | ELASTIC SUSPENSION (4x) (OPTION) |
| G2 | LIFTING EYE, FRONT, 404 |
| G3 | LIFTING EYE, REAR, 430 |
| J1 | POWER STEERING PUMP ALT. EXTRA ALTERNATOR (OPTION) |
| K1 | CENTRE OF GRAVITY |

ALL EQUIPMENT ON THE DRAWING IS NOT STANDARD
 FOR WEIGHTS AND VOLUMES PLEASE REFER TO TECHNICAL
 DATA SALES GUIDE

SCALE 1:5



SMALL SYMBOLS AND OTHER
 SYMBOLS ARE DEFINED IN
 THE SYMBOLS AND OTHER
 SYMBOLS LIST ON PAGE 101

ENGINE DIMENSIONS
 D6-435 BT

DISPOSITION DRAWING

3521414

02

3521414-02 - 3аружені с www.volvopenta.com 26-06-2014 7:36:56