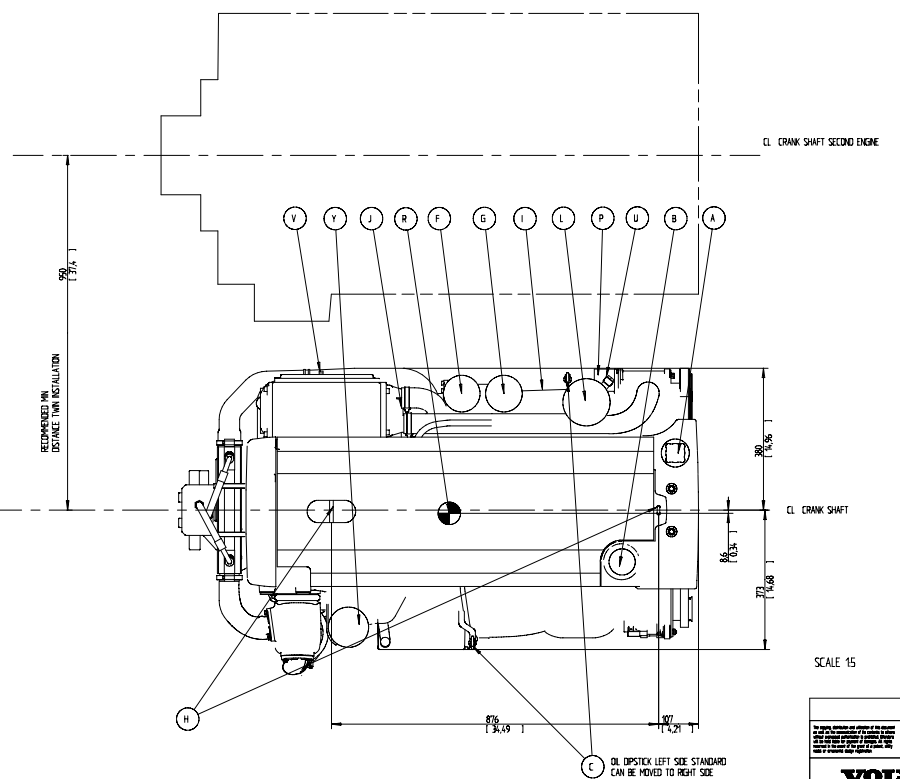
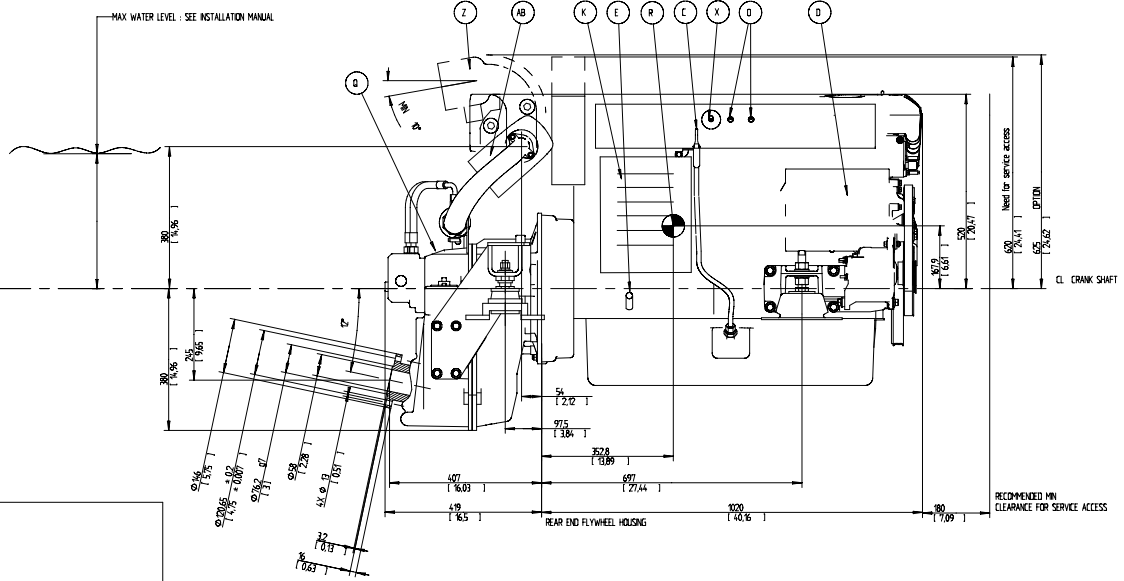
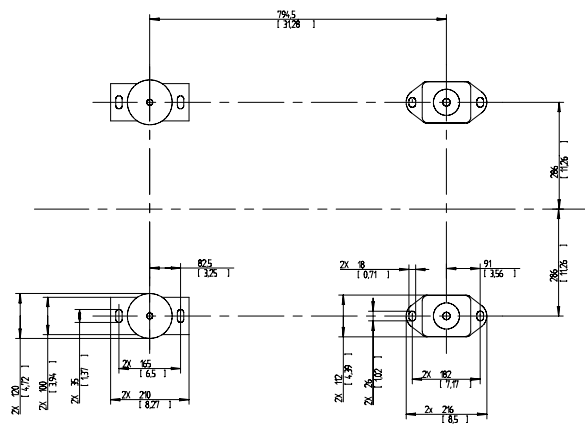
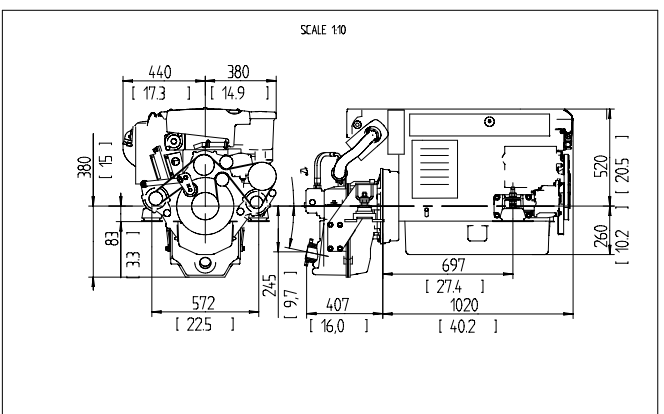
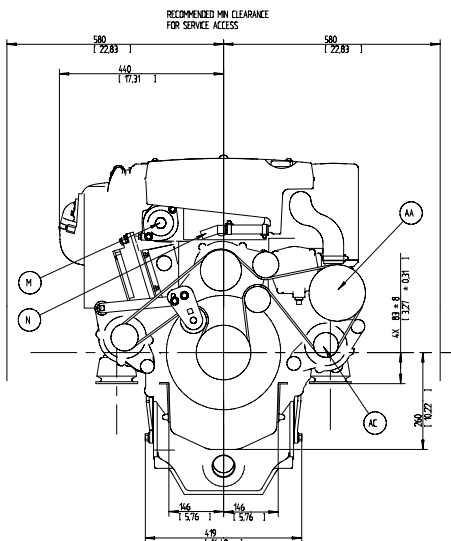


- (A) WATER FILLER CAP, FRESH WATER
- (B) OIL FILLER CAP, ENGINE
- (C) OIL DIPSTICK, ENGINE LEFT OR RIGHT SIDE MOUNTED
- (D) ENGINE CONTROL UNIT
- (E) OIL DRAIN PIPE, ENGINE Ø125
- (F) OIL FILTER MAN
- (G) OIL FILTER BYPASS
- (H) LIFTING EYE
- (I) WATER DRAIN, FRESH WATER
- (J) WATER DRAIN, SEA WATER
- (K) AIR FILTER
- (L) FUEL FILTER
- (M) HOT WATER OUTLET Ø16
- (N) HOT WATER INLET Ø16
- (O) ELECTRICAL FUSES ONLY 24V
- (P) SEA WATER INLET Ø50
- (Q) OIL DIPSTICK REVERSE GEAR
- (R) CENTRE OF GRAVITY
- (T) OIL DRAIN REVERSE GEAR
- (U) FUEL INLET CONNECTION
- (V) FUEL RETURN TO TANK
- (X) ENGINE STOP
- (Y) CRANKCASE VENTILATION
- (Z) EXHAUST RISER Ø27 (57) Ø37(10)
- (AA) SEA WATER PUMP
- (AB) EXHAUST ELBOW Ø27 (57)
- (AC) EXTRA ALTERNATOR



SCALE 15

<p>VOLVO PENTA</p> <p>3591357-02</p>		<p>ENGINE DIMENSIONS D6 / H580V</p>
<p>3591357-02</p>		<p>02</p>

3591357-02 - 3аружені с www.volvo-penta.com 26-06-2014 7:04:08

