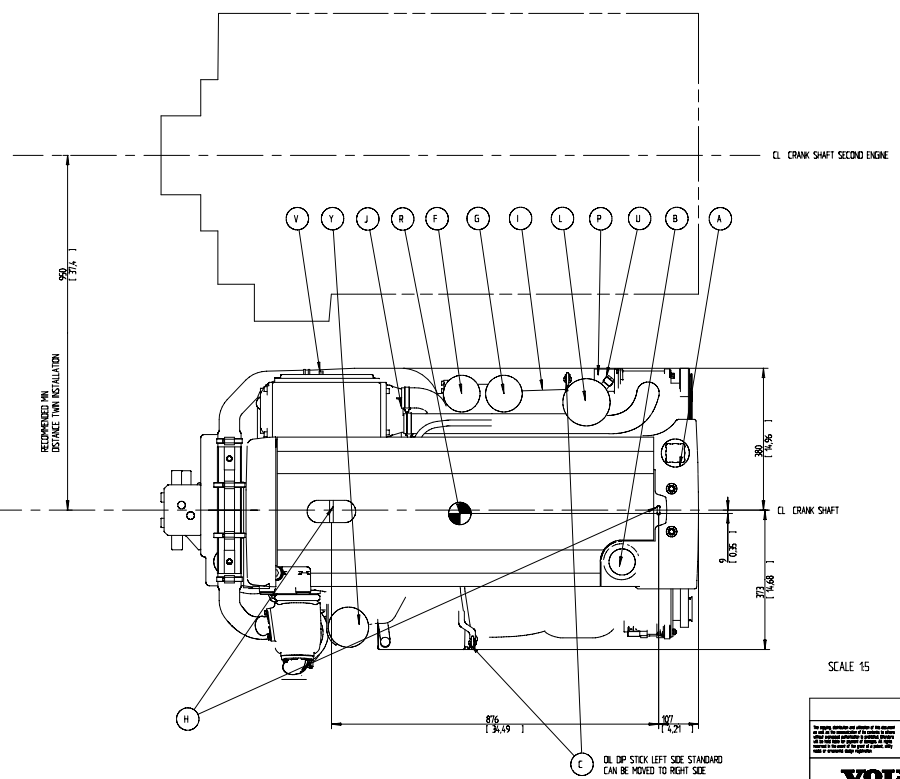
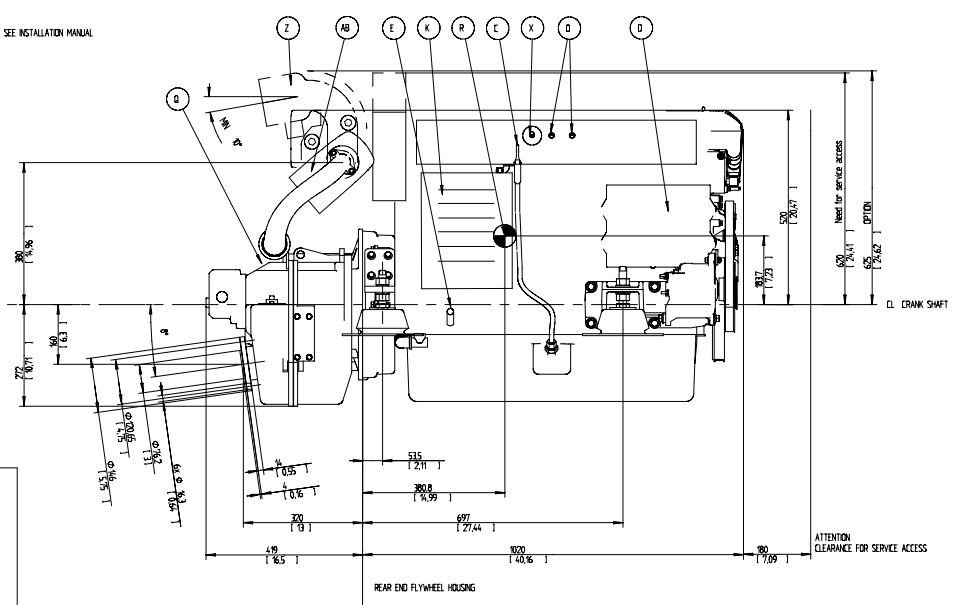
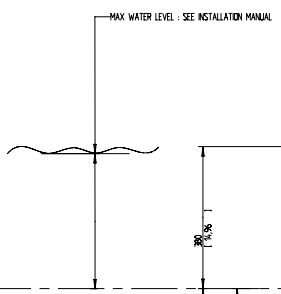
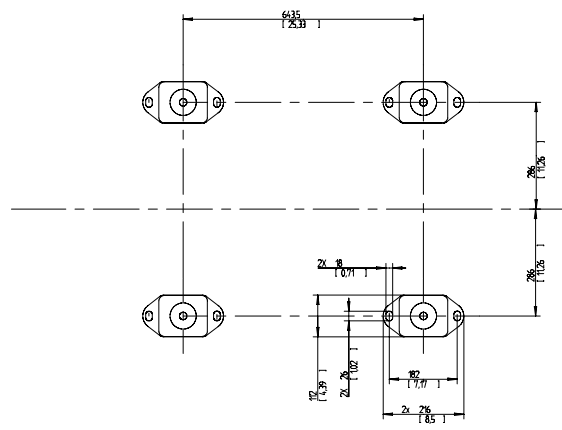
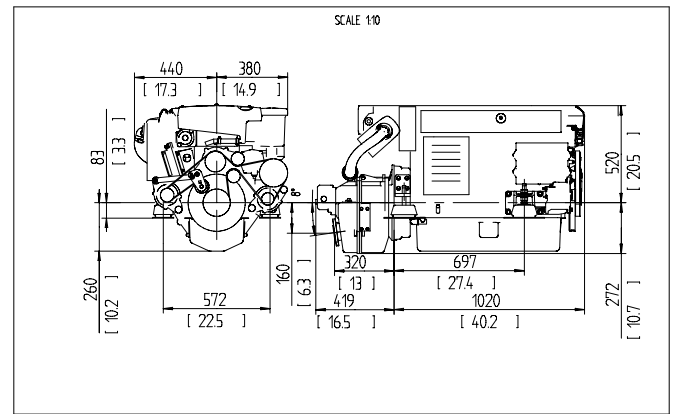
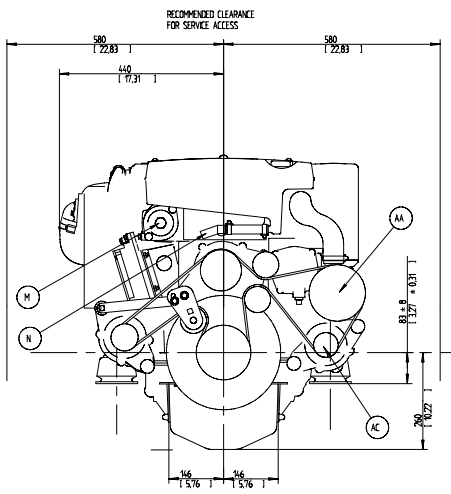


- (A) WATER FILLER CAP, FRESH WATER
- (B) OIL FILLER CAP, ENGINE
- (C) OIL DIP STICK, ENGINE LEFT OR RIGHT SIDE MOUNTED
- (D) ECU CONTROL UNIT
- (E) OIL DRAIN PIPE, ENGINE Ø125
- (F) OIL FILTER MAN
- (G) OIL FILTER BYPASS
- (H) LIFTING EYE
- (I) WATER DRAIN, FRESH WATER
- (J) WATER DRAIN, SEA WATER
- (K) AIR FILTER
- (L) FUEL FILTER
- (M) HOT WATER OUTLET Ø16
- (N) HOT WATER INLET Ø16
- (O) ELECTRICAL FUSES ONLY 24V
- (P) SEA WATER INLET Ø50
- (Q) OIL DIP STICK REVERSE GEAR
- (R) CENTRE OF GRAVITY
- (S) WATER INLET
- (T) OIL DRAIN REVERSE GEAR
- (U) FUEL INLET CONNECTION
- (V) FUEL RETURN TO TANK
- (X) ENGINE STOP
- (Y) CRANK CASE VENTILATION
- (Z) EXHAUST RISER Ø127 671 ØPT100
- (AA) SEA WATER PUMP
- (AB) EXHAUST ELBOW Ø127 671
- (AC) EXTRA ALTERNATOR



SCALE 15

<b>VOLVO PENTA</b> ENGINE DIMENSIONS D6 / H580A		SYMBOLS, DIMENSIONS AND GENERAL NOTES IN THIS DRAWING ARE IN ACCORDANCE WITH ISO 15775:2001
Date of issue: 2002-01-14 Issue No: 1	Date of revision: 2002-01-14 Revision No: 1	Drawing No: 3591356-02 Part No: 02

3591356-02 - 3аруженіо с www.volvo-penta.com 26-06-2014 7:30:40