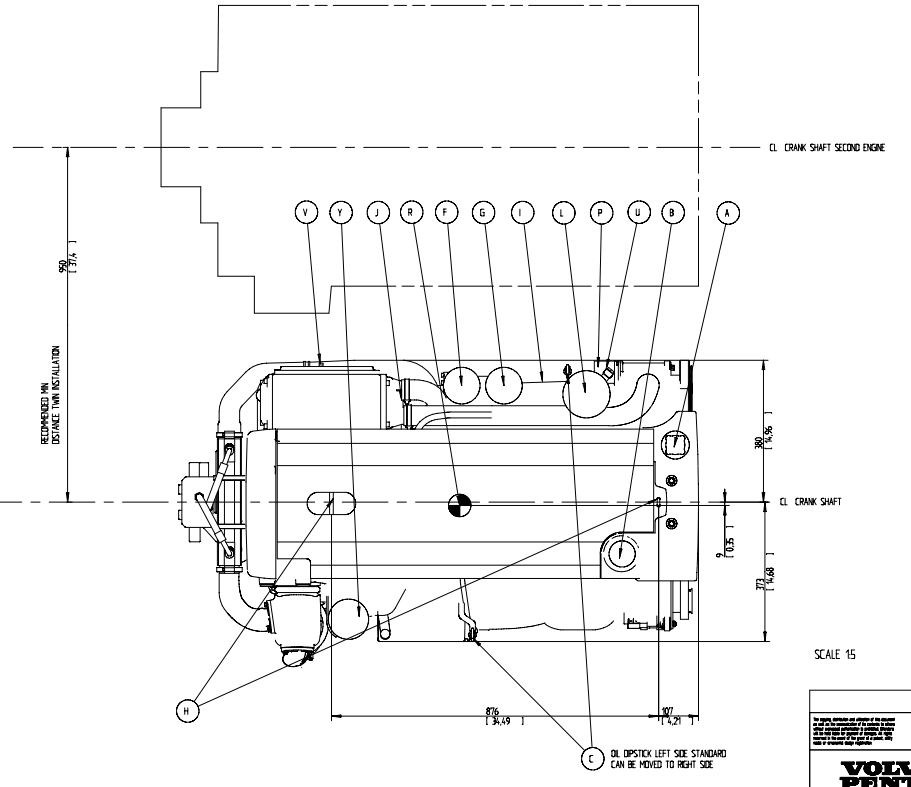
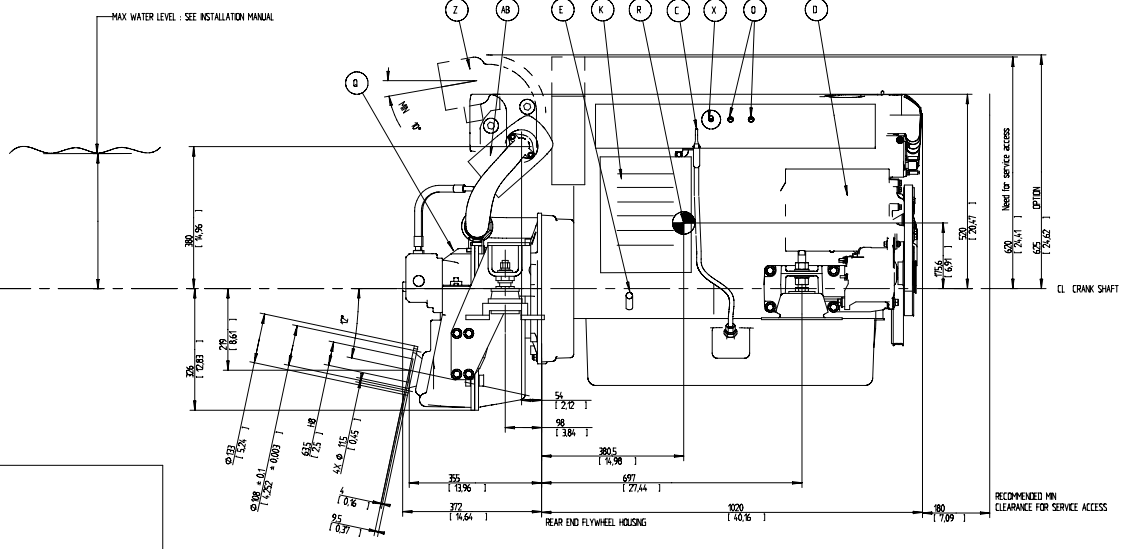
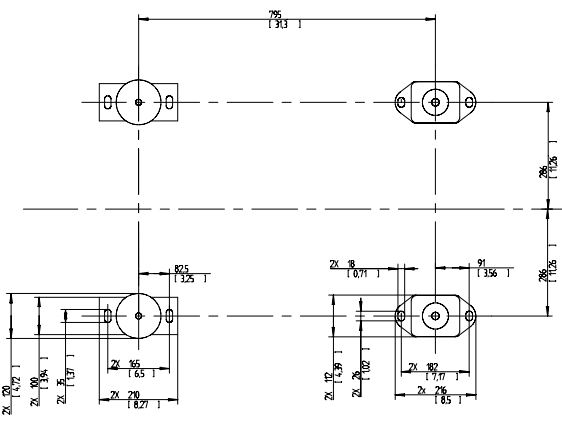
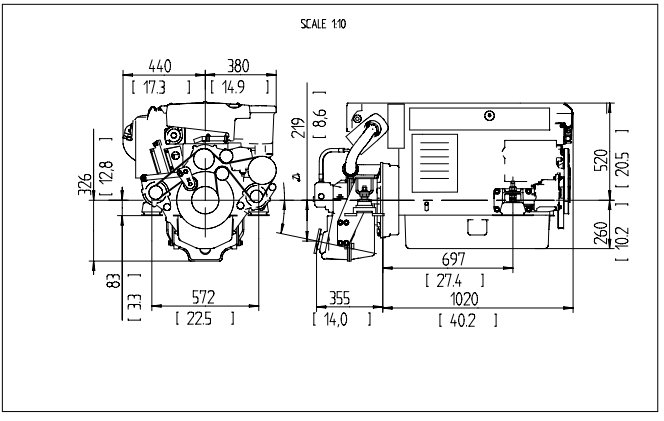
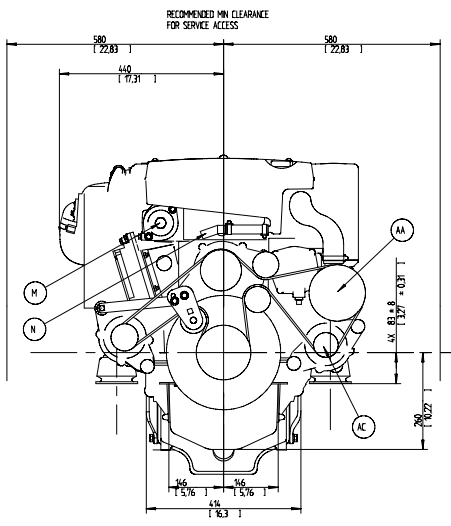


RELEASED

- (A) WATER FILLER CAP, FRESH WATER
- (B) OIL FILLER CAP, ENGINE
- (C) OIL DIPSTICK, ENGINE LEFT OR RIGHT SIDE MOUNTED
- (D) ENGINE CONTROL UNIT
- (E) OIL DRAIN PIPE, ENGINE Ø125
- (F) OIL FILTER MAN
- (G) OIL FILTER BYPASS
- (H) LIFTING EYE
- (I) WATER DRAIN, FRESH WATER
- (J) WATER DRAIN, SEA WATER
- (K) AIR FILTER
- (L) FUEL FILTER
- (M) HOT WATER OUTLET Ø16
- (N) HOT WATER INLET Ø16
- (O) ELECTRICAL FUSES ONLY 24V
- (P) OIL DIPSTICK REVERSE GEAR
- (R) CENTRE OF GRAVITY
- (S) WATER INLET
- (T) OIL DRAIN REVERSE GEAR
- (U) FUEL INLET CONNECTION
- (V) FUEL RETURN TO TANK
- (Y) ENGINE STOP
- (Z) CRANKCASE VENTILATION
- (Z) EXHAUST RISER Ø127 671 Ø1700
- (AA) SEA WATER PUMP
- (AB) EXHAUST ELBOW Ø127 671
- (AC) EXTRA ALTERNATOR



SCALE 1:5

VOLVO PENTA
 ENGINE DIMENSIONS
 D6 / H563V
 No: **3591355** Scale: **1:1**
 Part No: **02**