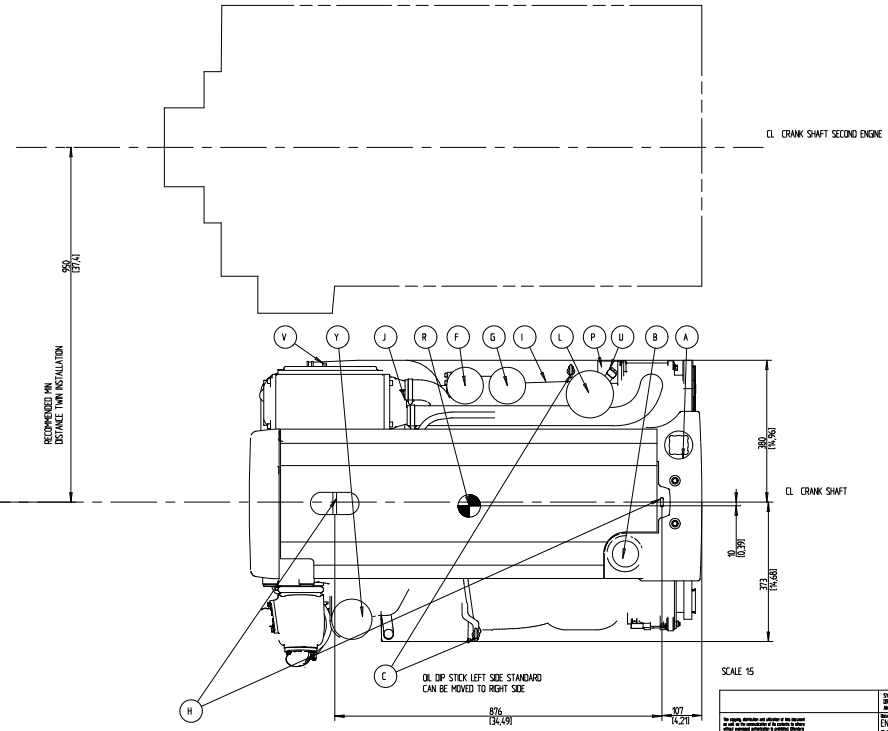
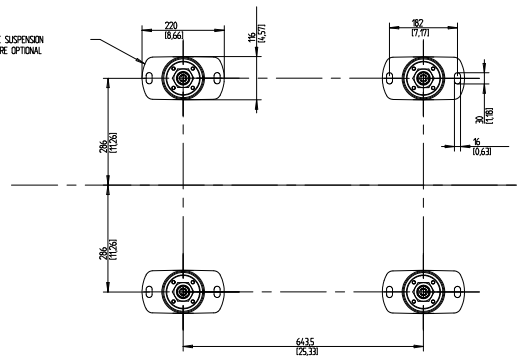
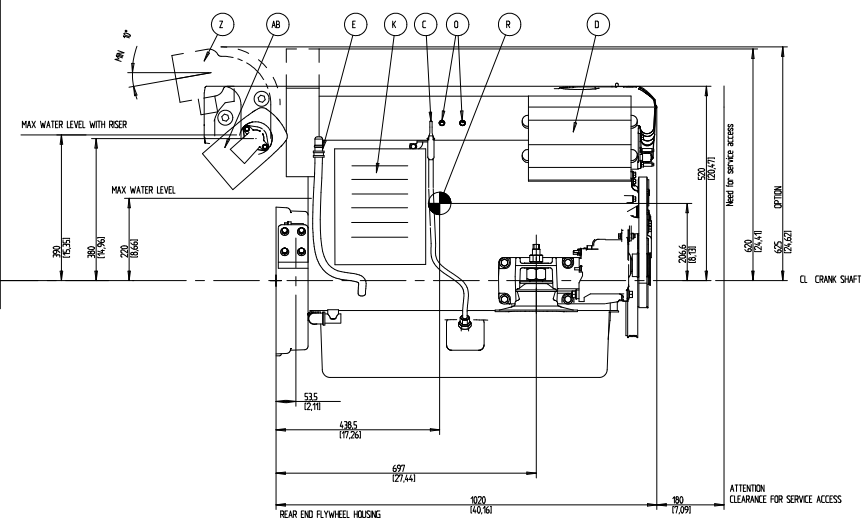
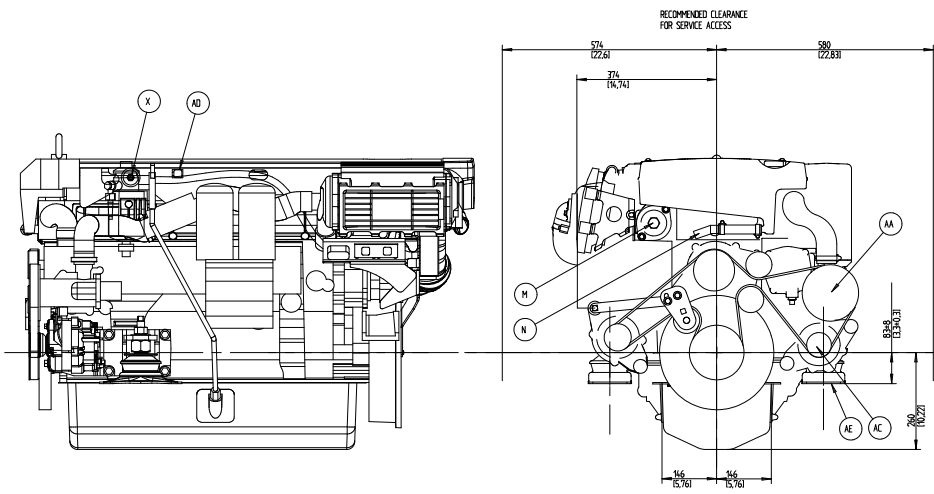


- (A) WATER FILLER CAP, FRESH WATER
- (B) OIL FILLER CAP, ENGINE
- (C) OIL DIP STICK, ENGINE LEFT OR RIGHT SIDE MOUNTED
- (D) ECU CONTROL UNIT
- (E) OIL DRAIN PIPE, ENGINE Ø125
- (F) OIL FILTER MAIN
- (G) OIL FILTER BYPASS
- (H) LIFTING EYE
- (I) WATER DRAIN, FRESH WATER
- (J) WATER DRAIN, SEA WATER
- (K) AIR FILTER
- (L) FUEL FILTER
- (M) HOT WATER OUTLET Ø16
- (N) HOT WATER INLET Ø16
- (O) ELECTRICAL FUSES (ONLY 24V)
- (P) SEA WATER INLET Ø50
- (Q) OIL DIP STICK REVERSE GEAR
- (R) CENTRE OF GRAVITY
- (S) WATER INLET
- (T) OIL DRAIN REVERSE GEAR
- (U) FUEL INLET CONNECTION
- (V) FUEL RETURN TO TANK
- (X) ENGINE STOP
- (Y) CRANK CASE VENTILATION
- (Z) EXHAUST RISER Ø127 (57) (OPTION)
- (AA) SEA WATER PUMP
- (AB) EXHAUST ELBOW Ø127 (57)
- (AC) EXTRA ALTERNATOR
- (AD) DIAGNOSIS CONNECTOR
- (AE) ELASTIC SUSPENSION (2)



SCALE 1:5

SMALL DIMENSIONS AND DETAILS SHOWN AT RED SIZE OF DRAWING

ENGINE DIMENSIONS D6 BT

DISPOSITION DRAWING

3591353

102

11