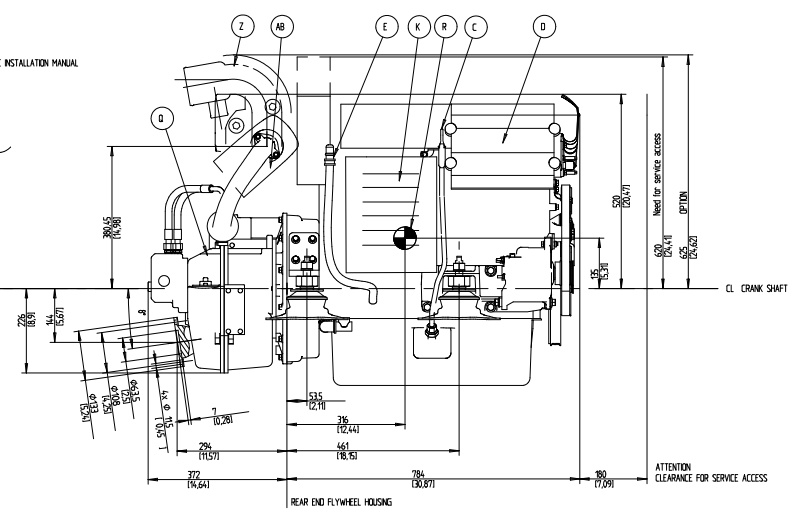
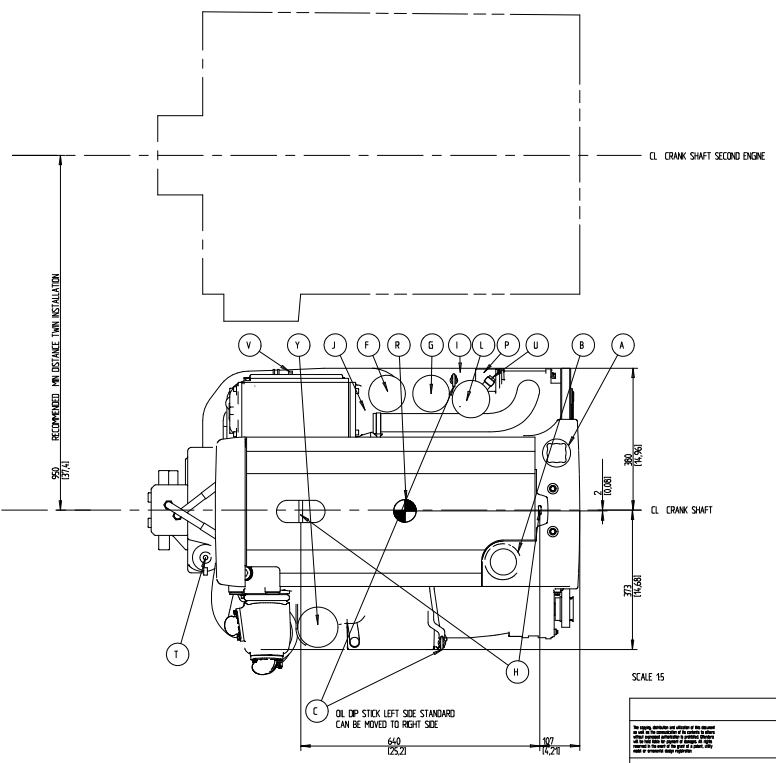
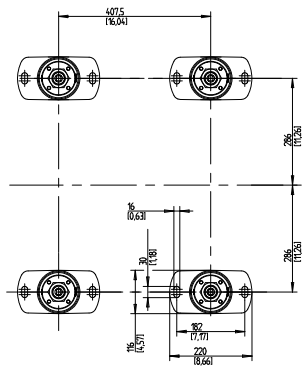


MAX WATER LEVEL : SEE INSTALLATION MANUAL



- (A) WATER FILLER CAP, FRESH WATER
- (B) OIL FILLER CAP, ENGINE
- (C) OIL DIP STICK, ENGINE LEFT OR RIGHT SIDE MOUNTED
- (D) ECU CONTROL UNIT
- (E) OIL DRAIN (WITH PUMP), ENGINE Ø125
- (F) OIL FILTER MAIN
- (G) OIL FILTER BYPASS
- (H) LIFTING EYE
- (I) WATER DRAIN, FRESH WATER
- (J) WATER DRAIN, SEA WATER
- (K) AIR FILTER
- (L) FUEL FILTER
- (M) HOT WATER OUTLET
- (N) HOT WATER INLET
- (P) SEA WATER INLET Ø38
- (R) OIL DIP STICK REVERSE GEAR
- (S) CENTRE OF GRAVITY
- (T) OIL FILTER AND OIL SUCTION REVERSE GEAR
- (U) FUEL INLET CONNECTION
- (V) FUEL RETURN TO TANK
- (X) ENGINE STOP
- (Y) CRANK CASE VENTILATION
- (Z) EXHAUST RISER Ø 102 (4") ØPT1000
- (AA) SEA WATER PUMP
- (AB) EXHAUST ELBOW Ø102 (4")
- (AC) EXTRA ALTERNATOR
- (AD) DIAGNOSE CONNECTOR



SCALE 1:5

VOLVO PENTA ENGINE DIMENSIONS DA 163AE DISPOSITION DRAWING 35921859		SYMBOLS, DIMENSIONS AND OTHERS SHOWN ON THIS DRAWING ARE IN ACCORDANCE WITH ISO 10303
35921859-02 02	11	11

35921859-02 - 3арпыкенo c www.volvo-penta.com 26-06-2014 7:30:25