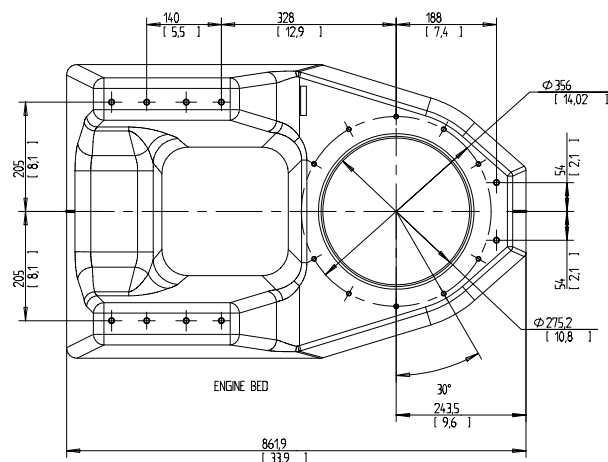
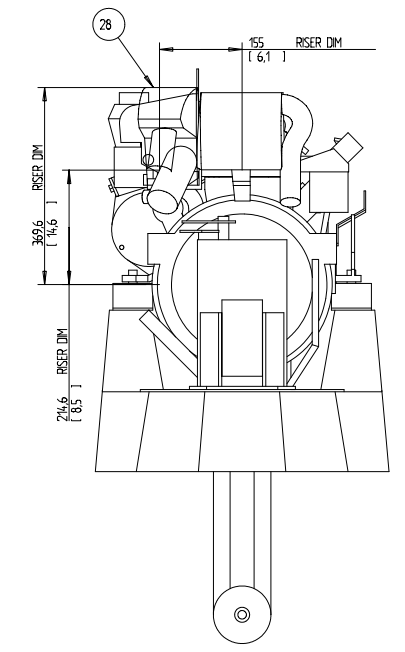
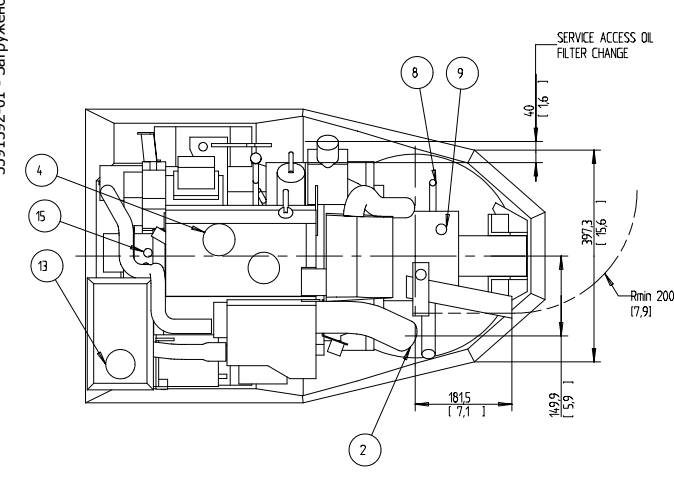
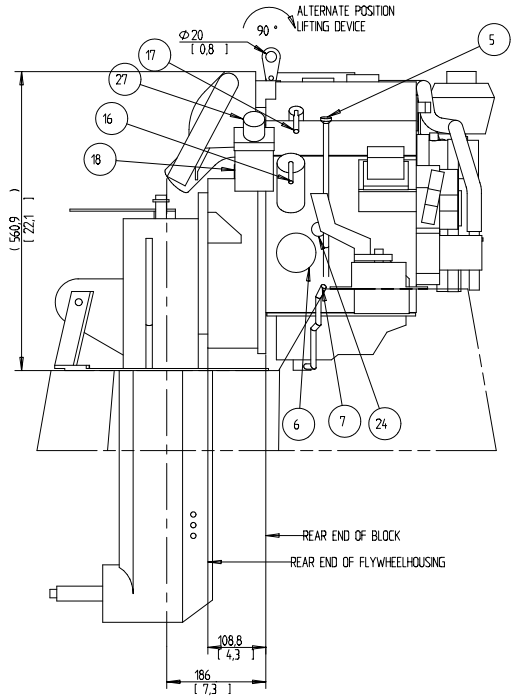
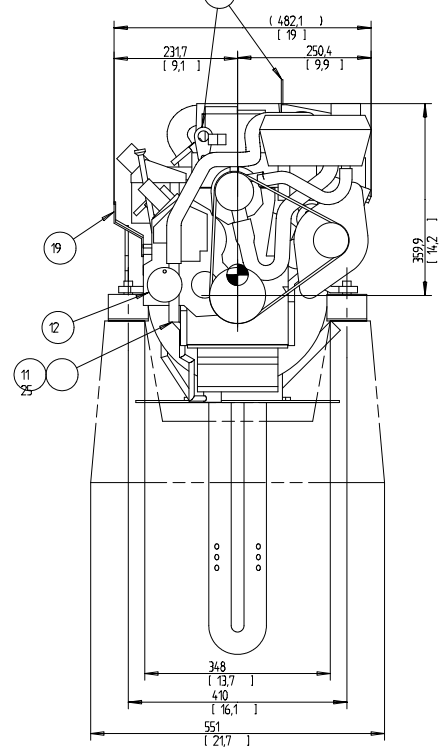
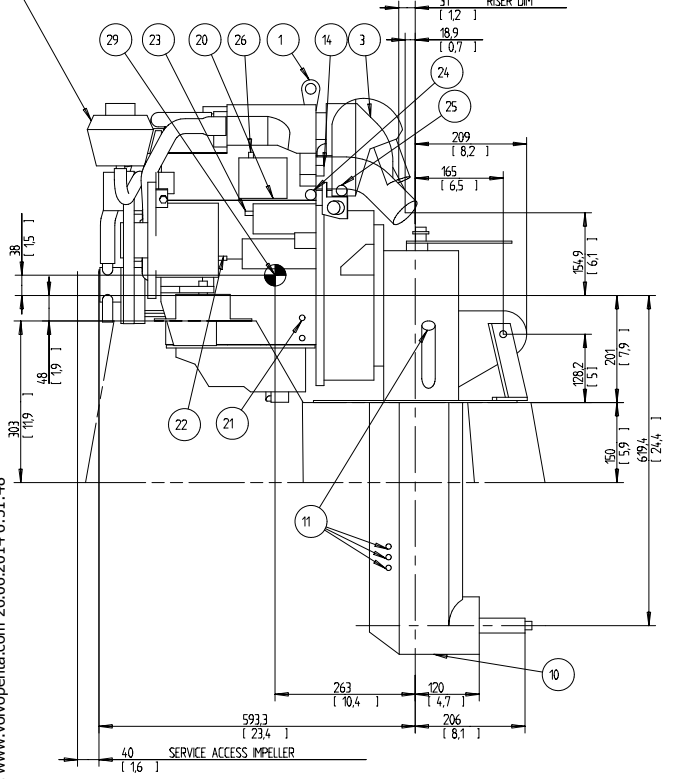


EXPANSION TANK CAN BE BULK HEAD MOUNTED THEN USE HOSE Ø75 943366 AND Ø16 952969

Customer Name MNO 016	Location	Change description	P/A	Doc No D 1.3.0301	Doc Date	Doc Issue	Doc Revision
							RELEASED



SCALE 1:5
 OIL CAPACITY INCLUDING OIL FILTER: 35 LITERS
 FRESHWATER SYSTEM CAPACITY: 4.1 LITERS
 WEIGHTS:
 DRY 154 kg
 OIL & WATER 161 kg

DIMENSION IN MILLIMETRES AND (INCHES)

NR	ITEM
1	LIFTING DEVICE
2	EXHAUST ELBOW FOR HOSE ID 45(1.75)
3	AIR FILTER (SILENCER)
4	OIL FILLING
5	OIL DIPSTICK ENGINE
6	OIL FILTER
7	OIL DRAIN (WITH PUMP) ENGINE ID 8 (10.35)
8	OIL DIPSTICK REVERSE GEAR
9	OIL FILLER CAP REVERSE GEAR
10	OIL DRAIN REVERSE GEAR
11	SEA WATER INLET FOR HOSE ID 19(0.75)
12	SEA WATER PUMP
13	WATER FILLER CAP FRESH WATER
14	HOT WATER OUTLET
15	HOT WATER INLET
16	FUEL CONNECTION FOR HOSE ID 10 (13/8)
17	FUEL RETURN CONNECTION FOR HOSE ID 10 (13/8)
18	FUEL FILTER
19	SPEED CONTROL LEVER
20	CONNECTION BOX FOR EXTENSION CABLE
21	BATTERY MINUS (-) CONNECTION
22	PLUS (+) CONNECTION FOR CHARGING DISTRIBUTOR
23	STARTER BATTERY PLUS (+) CONNECTION
24	WATER DRAIN FRESH WATER
25	WATER DRAIN SEAWATER
26	AUTOMATIC FUSE RESET
27	HAND PRIMER PUMP
28	RISER (OPTIONAL)
29	CENTRE OF GRAVITY

VOLVO PENTA ENGINE DIMENSIONS D1-30/130S		P/N: 3591392 Doc No: 101
The capacity, approvals and alterations of this document are valid only in the context of the conditions to which it was issued for purposes of design, fit, repair and/or maintenance. It is not valid for other purposes, such as modification or re-approval.		© VOLVO PENTA AB 2014 DRAWING METHODS STD 90-500 AND STD 922500

3591392-01 - 3airpykheo c www.volvo-penta.com 26-06-2014 6:51:48