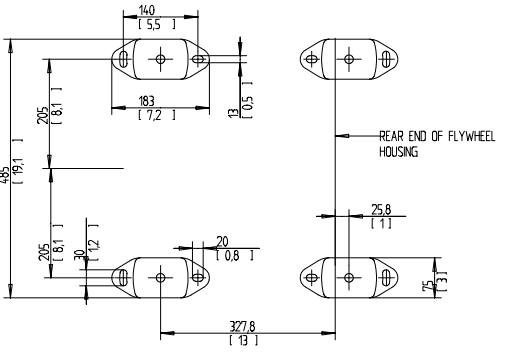
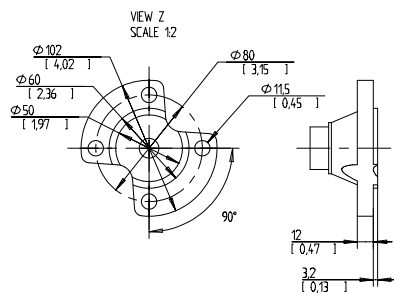
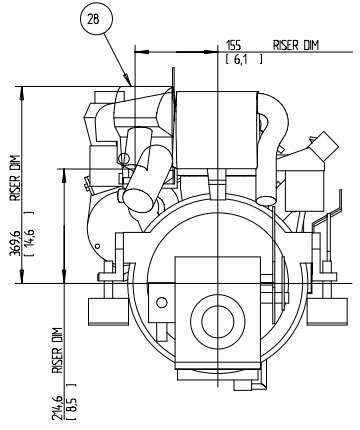
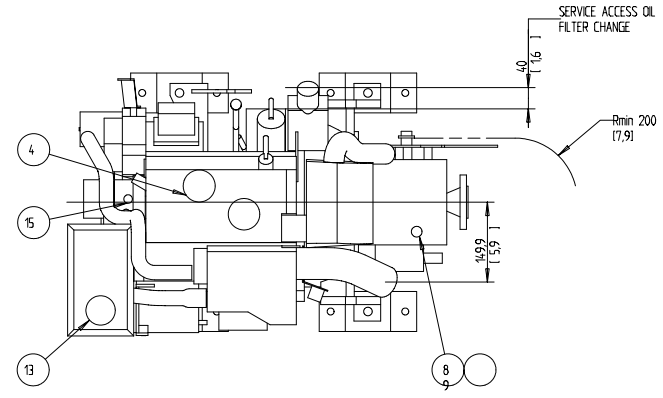
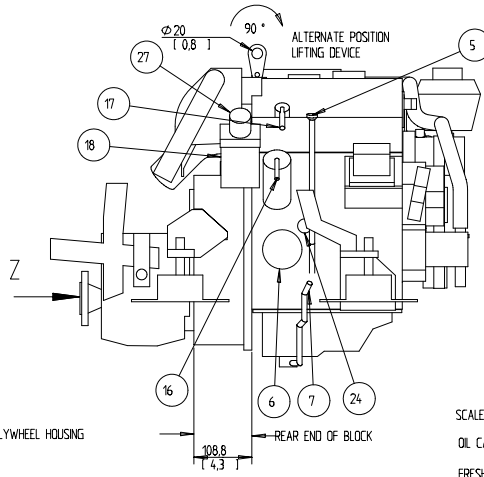
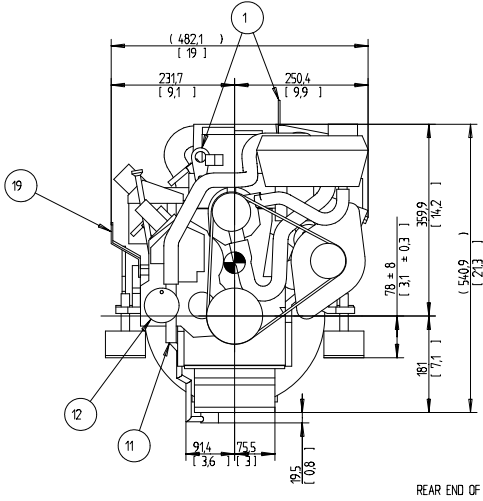
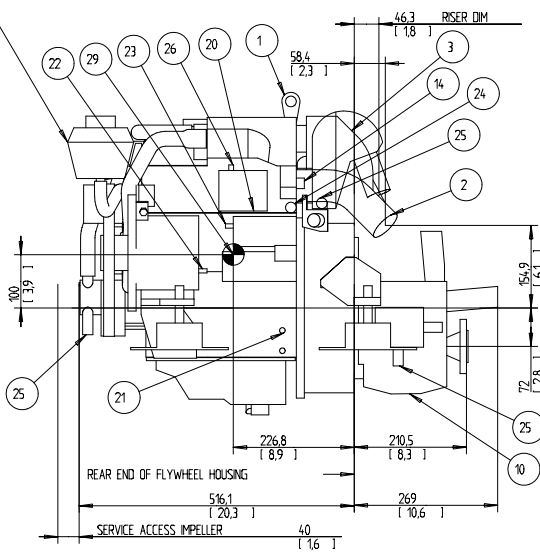


EXPANSION TANK CAN BE BULK HEAD MOUNTED THEN USE HOSE Ø75 943366 AND Ø16 952969



SCALE 1:5
OIL CAPACITY INCLUDING OIL FILTER: 35 LITERS
FRESHWATER SYSTEM CAPACITY: 4.1 LITERS
WEIGHTS:
DRY 140 kg
OIL & WATER 147 kg

DIMENSION IN MILLIMETRES AND (INCHES)

| NR | ITEM |
|----|--|
| 1 | LIFTING DEVICE |
| 2 | EXHAUST ELBOW FOR HOSE ID 45(1.75) |
| 3 | AIR FILTER (SILENCER) |
| 4 | OIL FILLING |
| 5 | OIL DIPSTICK ENGINE |
| 6 | OIL FILTER |
| 7 | OIL DRAIN (WITH PUMP) ENGINE ID 8 (0.35) |
| 8 | OIL DIPSTICK REVERSE GEAR |
| 9 | OIL FILLER CAP REVERSE GEAR |
| 10 | OIL DRAIN REVERSE GEAR |
| 11 | SEAWATER INLET FOR HOSE ID 19(0.75) |
| 12 | SEA WATER PUMP |
| 13 | WATER FILTER CAP FRESH WATER |
| 14 | HOTWATER OUTLET |
| 15 | HOTWATER INLET |
| 16 | FUEL CONNECTION FOR HOSE ID 10 (3/8) |
| 17 | FUEL RETURN CONNECTION FOR HOSE ID 10 (3/8) |
| 18 | FUEL FILTER |
| 19 | SPEED CONTROL LEVER |
| 20 | CONNECTION BOX FOR EXTENSION CABLE |
| 21 | BATTERY MINUS (-) CONNECTION |
| 22 | PLUS (+) CONNECTION FOR CHARGING DISTRIBUTOR |
| 23 | STARTER BATTERY PLUS (+) CONNECTION |
| 24 | WATER DRAIN FRESH WATER |
| 25 | WATER DRAIN SEAWATER |
| 26 | AUTOMATIC FUSE RESET |
| 27 | HAND PRIMER PUMP |
| 28 | RISER (OPTIONAL) |
| 29 | CENTRE OF GRAVITY |

© VOLVO DIESELMOTOR AND GENERAL DRAWING METHODS STD 90-5400 AND STD 522560

ENGINE DIMENSIONS D1-30/MS1L

VOLVO PENTA

Document No: 3591390

Sheet No: 101

Scale: 1:5

3591390-01 - 3airpykeno c www.volvo-penta.com 26-06-2014 6:52:01