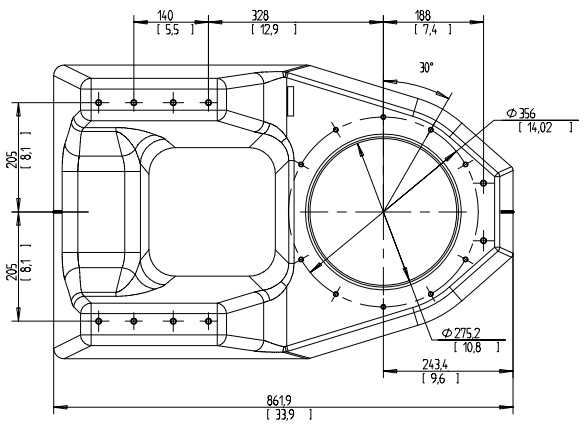
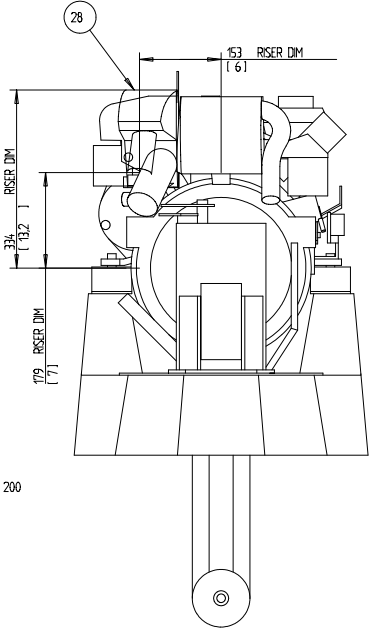
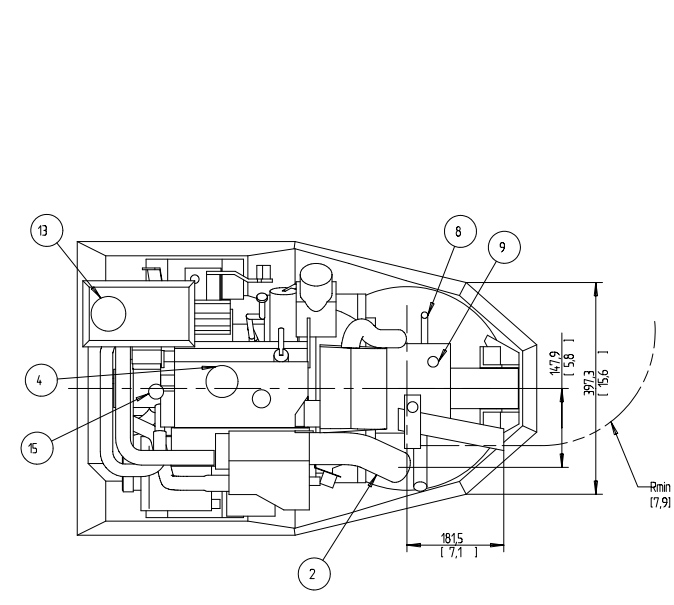
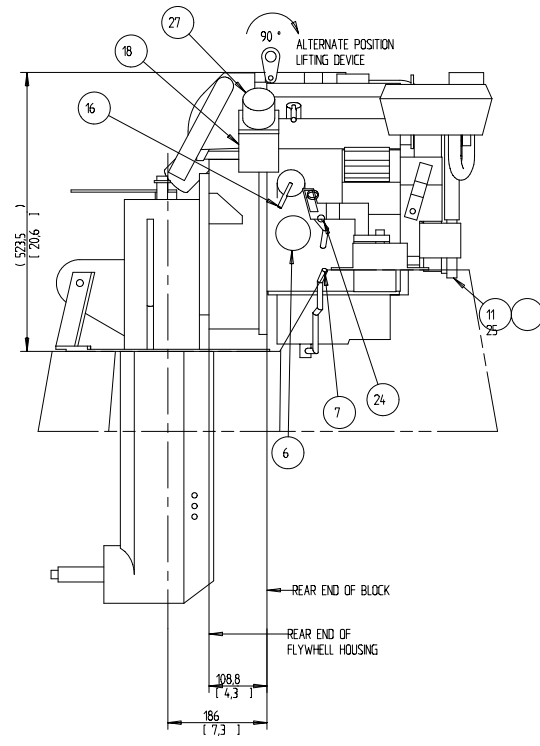
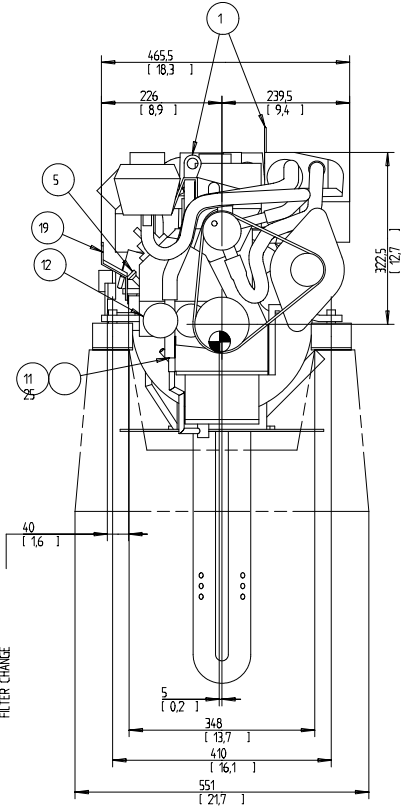
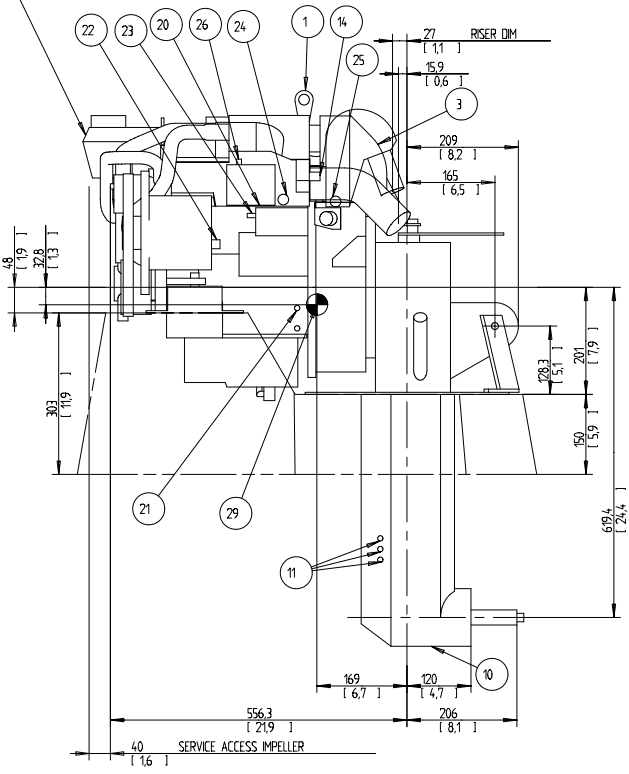


EXPANSION TANK CAN BE BULK HEAD MOUNTED
THEN USE HOSE Ø75 943366 AND Ø16 952966



Drawing Name D1-20		Location		Change description		P/A		Date		Released	
								D 1.2.03		Date	

SCALE 1:5
 OIL CAPACITY INCLUDING OIL FILTER: 2.8 LITERS
 FRESHWATER SYSTEM CAPACITY: 3.0 LITERS
 WEIGHTS:
 DRY 144 kg
 OIL & WATER 151 kg
 DIMENSION IN MILLIMETRES AND (INCHES)

NR	ITEM
1	LIFTING DEVICE
2	EXHAUST ELBOW FOR HOSE ID 45(1.75)
3	AIR FILTER (SILENCER)
4	OIL FILLING
5	OIL DIPSTICK ENGINE
6	OIL FILTER
7	OIL DRAIN (WITH PUMP) ENGINE ID 8 (0.35)
8	OIL DIPSTICK REVERSE GEAR
9	OIL FILLER CAP REVERSE GEAR
10	OIL DRAIN REVERSE GEAR
11	SEAWATER INLET FOR HOSE ID 19(0.75)
12	SEA WATER PUMP
13	WATER FILLER CAP FRESH WATER
14	HOTWATER OUTLET
15	HOTWATER INLET
16	FUEL CONNECTION FOR HOSE ID 10 (3/8)
17	FUEL RETURN CONNECTION FOR HOSE ID 10 (3/8)
18	FUEL FILTER
19	SPEED CONTROL LEVER
20	CONNECTION BOX FOR EXTENSION CABLE
21	BATTERY MINUS (-) CONNECTION
22	PLUS (+) CONNECTION FOR CHARGING DISTRIBUTOR
23	STARTER BATTERY PLUS (+) CONNECTION
24	WATER DRAIN FRESH WATER
25	WATER DRAIN SEAWATER
26	AUTOMATIC FUSE RESET
27	HAND PRIMER PUMP
28	RISER (OPTIONAL)
29	CENTRE OF GRAVITY

VOLVO PENTA The copying, distribution and utilization of this document is allowed only with the consent of the company that issues it and only for purposes of design. All rights reserved. For more information contact your Volvo Penta distributor or authorized dealer representative.		SHIELDS DESIGN/DATE AND GENERAL DRAWING METHODS STD 90-002 AND STD 922560
Drawing No 3591389		Drawing type ENGINE DIMENSIONS D1-20/130S
Drawing No 3591389		Drawing No 101

3591389-01 - Зарпужено с www.volvo-penta.com 26.06.2014 6:50:26