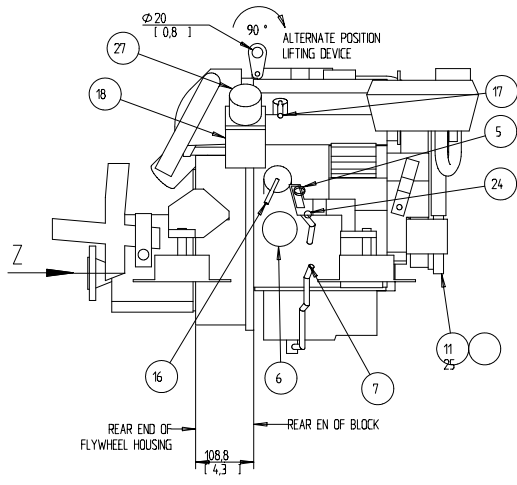
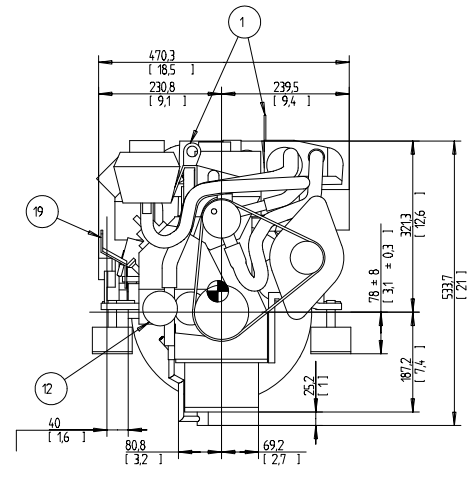
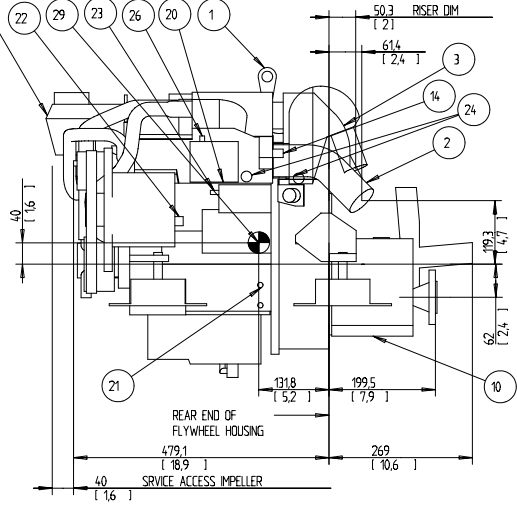
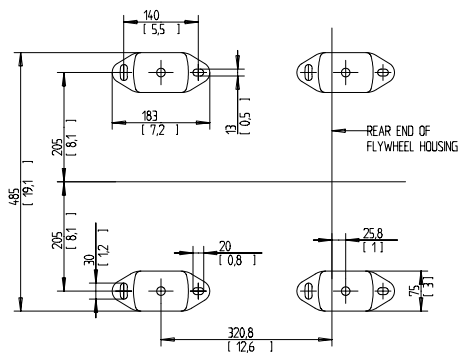
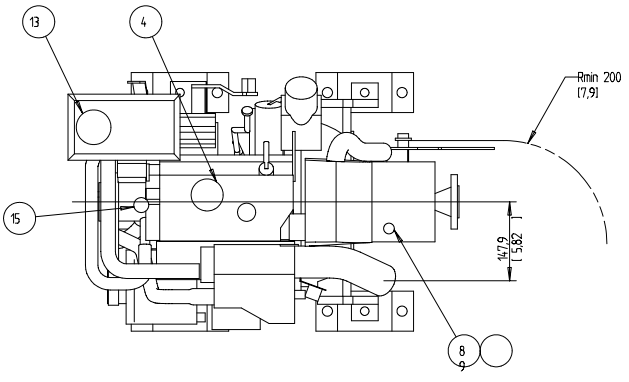
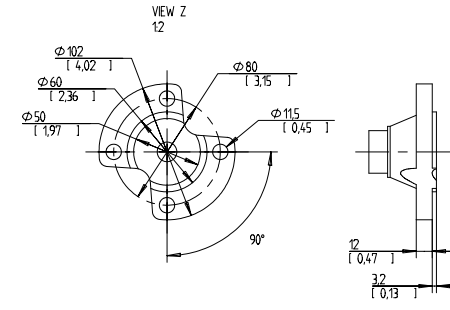
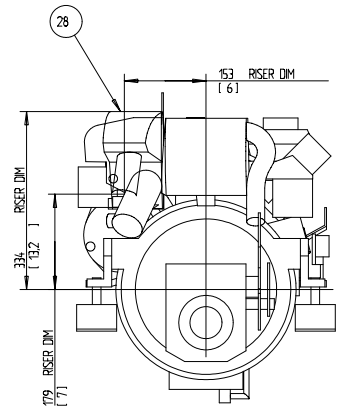


EXPANSION TANK CAN BE BULK HEAD MOUNTED THEN USE HOSE Ø75 943366 AND Ø16 952966



SERVICE ACCESS OIL FILTER CHANGE



RELEASED

SCALE 1:5

OIL CAPACITY INCLUDING OIL FILTER: 2.8 LITERS

FRESHWATER SYSTEM CAPACITY: 3.0 LITERS

WEIGHTS:
 DRY 127 kg
 OIL & WATER 134 kg

DIMENSION IN MILLIMETRES AND (INCHES)

NR	ITEM
1	LIFTING DEVICE
2	EXHAUST ELBOW FOR HOSE ID 45(1.75)
3	AIR FILTER (SILENCER)
4	OIL FILLING
5	OIL DIPSTICK ENGINE
6	OIL FILTER
7	OIL DRAIN (WITH PUMP) ENGINE ID 8 (0.35)
8	OIL DIPSTICK REVERSE GEAR
9	OIL FILLER CAP REVERSE GEAR
10	OIL DRAIN REVERSE GEAR
11	SEAWATER INLET FOR HOSE ID 19(0.75)
12	SEA WATER PUMP
13	WATER FILLER CAP FRESH WATER
14	HOTWATER OUTLET
15	HOTWATER INLET
16	FUEL CONNECTION FOR HOSE ID 10 (3/8)
17	FUEL RETURN CONNECTION FOR HOSE ID 10 (3/8)
18	FUEL FILTER
19	SPEED CONTROL LEVER
20	CONNECTION BOX FOR EXTENSION CABLE
21	BATTERY MINUS (-) CONNECTION
22	PLUS (+) CONNECTION FOR CHARGING DISTRIBUTOR
23	STARTER BATTERY PLUS (+) CONNECTION
24	WATER DRAIN FRESH WATER
25	WATER DRAIN SEAWATER
26	AUTOMATIC FUSE RESET
27	HAND PRIMER PUMP
28	RSER (OPTIONAL)
29	CENTRE OF GRAVITY

VOLVO PENTA ENGINE DIMENSIONS D1-20/MS10L		DIMENSIONS IN MILLIMETRES AND (INCHES) DRAWING METHODS STD 90-500 AND STD 922560
The capacity, applicability and utilization of this document is valid only in the context of the complete machinery. It is not intended for general use. It is not intended for use in any other context. It is not intended for use in any other context. It is not intended for use in any other context.		Drawing No. 3591387
Drawing No. 3591387		Sheet No. 101

3591387-01 - 3airpykheo c www.volvo-penta.com 26-06-2014 6:50:23